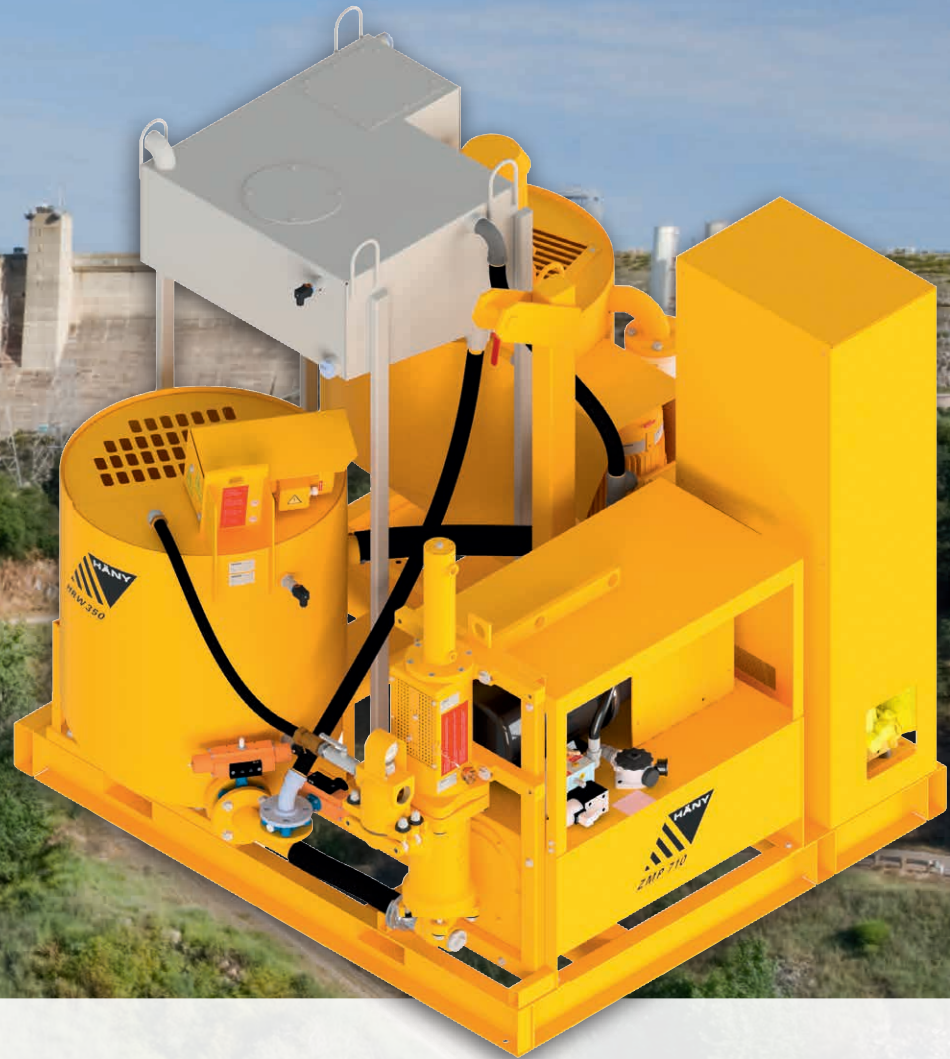


Häny Mixing and Injection Technology

Automated Grout Plant FAIC 650/710



The compact grout plants consist of the proven, standard Häny components of a mixer, agitator, and grout pump. In its automated execution the plant provides enormous savings in terms of personnel costs, high production outputs, quality monitoring and enhanced working conditions.



HÄNY

Mixing and Injection Technology

Automated Grout Plant

FAIC 650/710

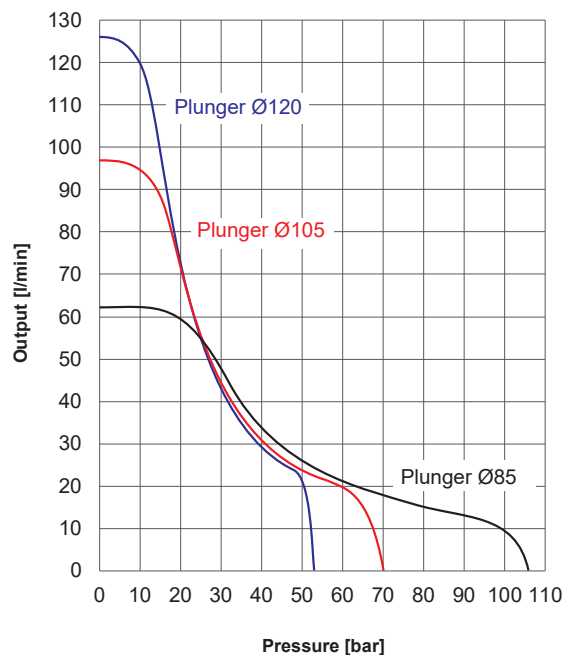
Key features

- ▶ Extremely compact mixing and injection system with central lifting point for easy transport and minimum installation time
- ▶ High production output, quality monitoring and cost savings in terms of personnel costs due to fully automated mixing process
- ▶ Precise dosing of individual components is guaranteed by a sophisticated weighing system in the mixer (typical feed of dry components via silos/screw)
- ▶ Mixing recipes can be entered and selected via touch screen as required
- ▶ Batch records of each mixing cycle with consumption records (total of consumed components) is stored and can be transferred via a USB interface

Typical applications

- ▶ Grouting of anchors, soil nails, tension cables as well as for sleeve pipe, rock, and contact injections
- ▶ Preparation and pumping of bentonite suspensions for pipe jacking and microtunneling

Pump performance



Grout pump

ZMP 710

| | |
|------------------------------|---------------------|
| Capacity FAIC ¹ : | 5 m ³ /h |
| Max. pressure: | 100 bar |
| Max. aggregate size: | 8 mm |
| Hydraulic tank: | 140 l |
| Pump module: | single |
| Cooling water flow rate: | 3–4 l/min |
| Cooling water connection: | BSP ½" |
| Pressure connection: | BSP 2" |

Included as standard

- Manual pressure and flow control
- Oil level and temperature sensor

¹ Water to cement ratio = 1

Mixer / Agitator

| | |
|----------------------------|-------------|
| Usable content mixer: | 260 l |
| Circulation capacity: | 1,400 l/min |
| Water connection: | BSP 1" |
| Holding capacity agitator: | 350 l |

Optional

- Auxiliary mixing unit (recommended for W/C < 0.45)

Control

| |
|---|
| PLC weigh batch control with touch screen |
| Recipe management |
| Automated mixing cycle ON-OFF |
| Pump ON-OFF |

Optional

- Remote control ON-OFF
- P/Q-Registration



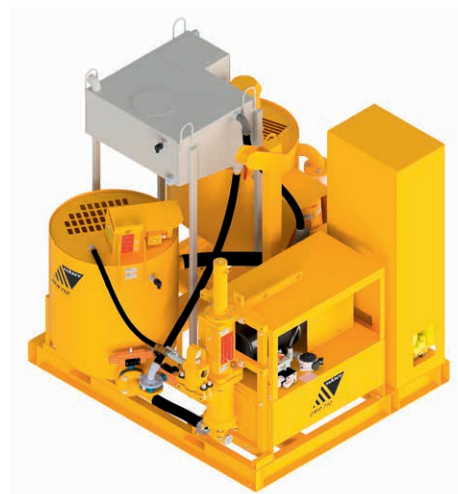
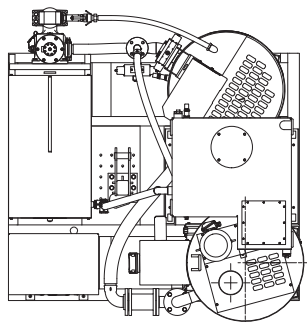
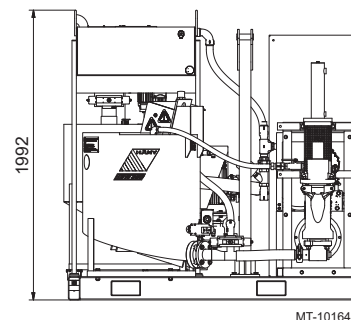
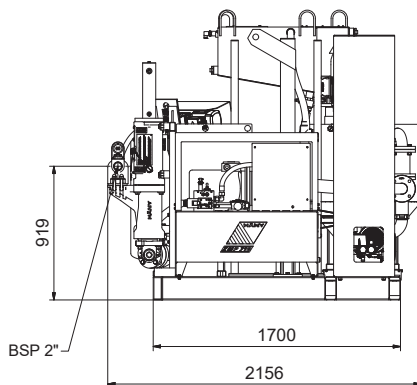
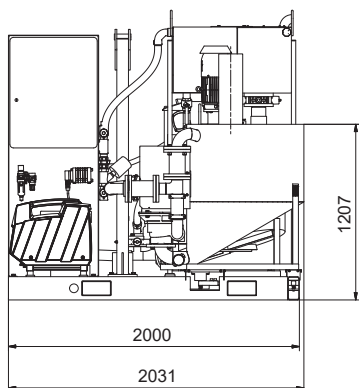
Electrical data

| | |
|----------------|--------------|
| Tension: | 3x 400/460 V |
| Frequency: | 50 / 60 Hz |
| Nominal power: | 18.5 / 21 kW |

Weight and dimensions

| | |
|---------------|----------|
| Total weight: | 1,665 kg |
| Width: | 2,031 mm |
| Height: | 1,992 mm |
| Length: | 2,156 mm |

Construction and dimensions



Document No.: PM2-102151.00/03.19. Legal Notice © Copyright 2019, Häny AG, Jona/Switzerland. Any unauthorized use or copying of the contents or any part hereof is prohibited. Illustrations and photos may show equipment with optional extras. No warranty is made regarding specifications or otherwise. Specifications and equipment are subject to change without notice.



HÄNY
Mixing and Injection Technology

Häny AG – Mixing and Injection Technology
Buechstr. 20 | 8645 Jona/Switzerland | Phone +41 44 925 41 11 | www.haeny.com