

Häny Mixing and Injection Technology

Compact Grout Plant IC 311



The combination of proven, standard Häny components – mixer, agitator, and injection pump – results in an extremely compact injection plant. This setup is suitable for a wide variety of applications such as anchor, sleeve pipe, and contact injections.

HÄNY

Mixing and Injection Technology

Compact Grout Plant

IC 311

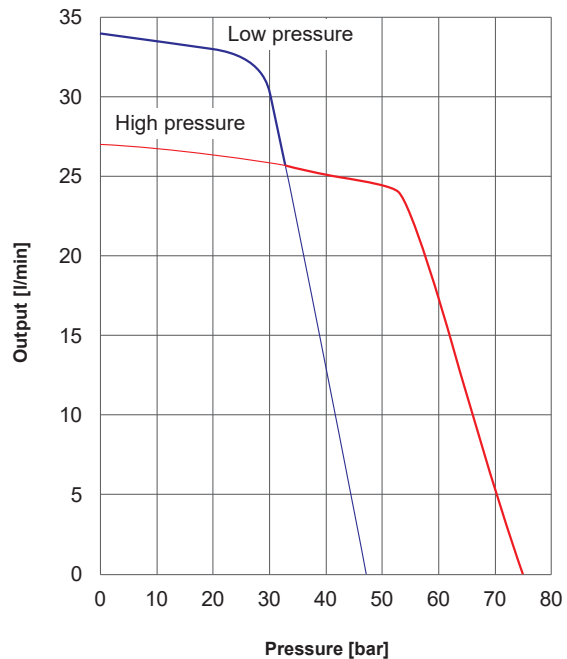
Key features

- ▶ Extremely compact mixing and injection system with central lifting point for easy transport and minimum installation time
- ▶ High productivity due to ergonomically positioned operating elements
- ▶ High reliability and low-maintenance operation with good accessibility to the wear parts
- ▶ Independent of pressure ratios, the suction stroke is always carried out at high velocity in order to flush the valves and to avoid clogging

Typical applications

- ▶ Grouting of anchors, soil nails, tension cables as well as for sleeve pipe, rock, and contact injections
- ▶ Preparation and pumping of bentonite suspensions for pipe jacking and microtunneling

Pump performance



Grout pump

ZMP 611

Capacity IC ¹ :	2 m ³ /h
Max. pressure:	75 bar
Max. aggregate size:	5 mm
Hydraulic tank:	52 l
Pump module:	single
Cooling water flow rate:	2–3 l/min
Cooling water connection:	BSP 3/8"
Pressure connection:	BSP 1"

Included as standard

- Manual pressure and flow control
- Oil level indicator with thermometer

¹ Water to cement ratio = 1

Mixer / Agitator

Usable content mixer:	100 l
Circulation capacity:	540 l/min
Water connection:	BSP 3/4"
Holding capacity agitator:	150 l

Optional

- Auxiliary mixing unit (recommended for W/C < 0.45)
- Automatic water meter

Control

PLC with stroke counter
Lockable main switch, emergency stop
Mixer ON-OFF
Agitator ON-OFF
Pump ON-OFF

Optional

- Remote control with 50 m cable, ON-OFF
- P/Q-Registration



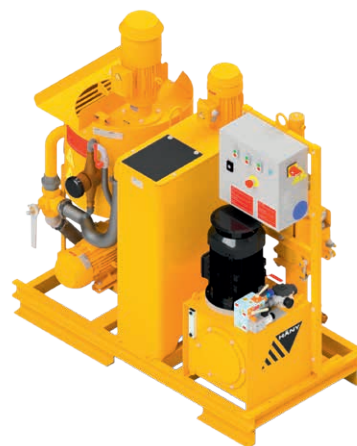
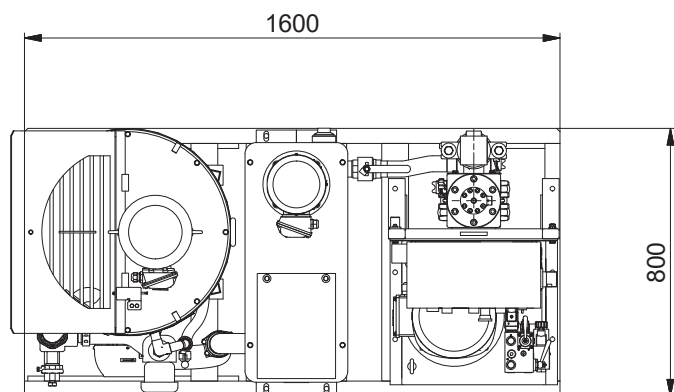
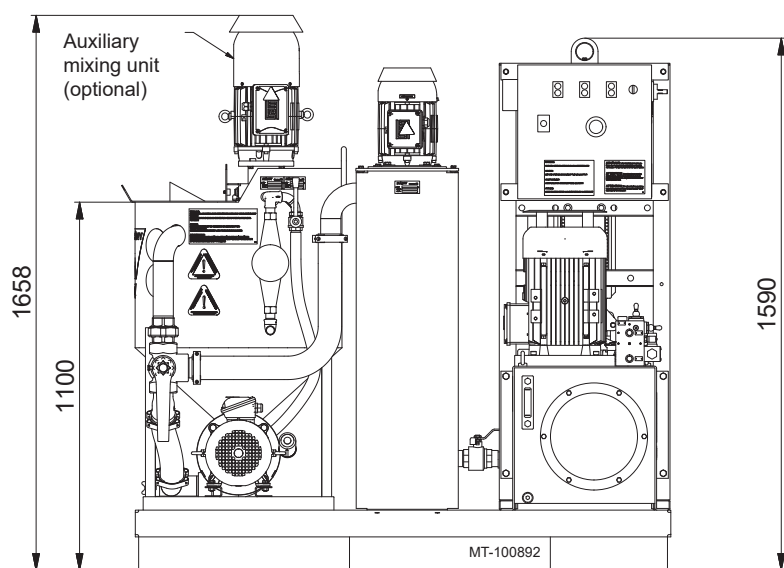
Electrical data

Tension:	3x 400/460
Frequency:	50 / 60 Hz
Nominal power:	9.1 / 10.5 kW

Weight and dimensions

Total weight:	625 kg
Width:	800 mm
Height:	1,658 mm
Length:	1,600 mm

Construction and dimensions



Document No.: PW2-101828-00/08; 18; Legal Notice © Copyright 2018, Häny AG, Jona/Switzerland. Any unauthorized use or copying of the contents or any part hereof is prohibited. Illustrations and photos may show equipment with optional extras. No warranty is made regarding specifications or otherwise. Specifications and equipment are subject to change without notice.



HÄNY
Mixing and Injection Technology

Häny AG – Mixing and Injection Technology
Buechstr. 20 | 8645 Jona/Switzerland | Phone +41 44 925 41 11 | www.haeny.com